

GLORY

Mach[®] 3 Coin Sorter



Efficient coin processing

The Mach 3 is a versatile, cost-efficient, compact coin sorter that simplifies and speeds coin processing for any business that counts, sorts or packages coin.

Glory Global Solutions is a World Expert in cash management, delivering technology and solutions that provide security, productivity and innovation to our customers. These solutions are supported by the technical expertise of GLORY Group of Japan, the pioneer in development and manufacture of money handling machines across the financial, retail, vending machine, amusement and gaming industries for nearly 100 years.

Across the world, Glory Global Solutions is trusted by thousands of organizations to ensure their cash is managed securely and efficiently while delivering the ultimate in productivity. 2,500 professionals, including over 1,300 service and support staff and 350 business partners cover over 128 countries delivering these solutions – wherever money moves.

Mach[®] 3 Technical Information

With best-in-class speed, Glory's Mach[®] 3 is a compact commercial grade coin processor that is fast, accurate and versatile.

Optimal speed and accuracy

- The simplicity of the patented Figure 8 technology provides optimal and accurate sorting at 1,500 coins per minute. This makes the Mach 3 one of the fastest in its class.

Versatile options to meet your needs

- Coins can be sorted into drawers, bags or tubes for rolling. When the tubing option is used, coin can be sorted first and then rolled by denomination, or it can be done in one easy step. The cash till sorting kit is also a fast way to count tills, especially in retail locations where a large number of cashiers are employed. The compact design of the Mach 3 and the optional carrying case make it easy to transport between locations.

Speed	Up to 1,500 coins per minute
Coin size range	Diameter: 0.61" to 1.28" (15.5 mm to 32.5 mm) Thickness: 0.04" to 0.12" (1.0 mm to 3.0 mm) Differential: 0.02" (0.5 mm) minimum
Tilting inspection pan capacity	1,500 coins
Exact bag stops	Standard
Connectivity	RS232 and USB standard
Power supply	90-264V AC, 50/60 Hz
Dimensions	9.25" x 9.00" x 15.4"
Weight	16.8 lbs
Security features	Lock-out security to protect operating information Battery backup in the event of a power failure
Options	Coin drawers, standard and mega Bagging attachments, bagging pedestal Inspection pan magnet kit Printer Soft-sided machine cover/carry bag Cash till sorting kit Tubing kits Batch remote display

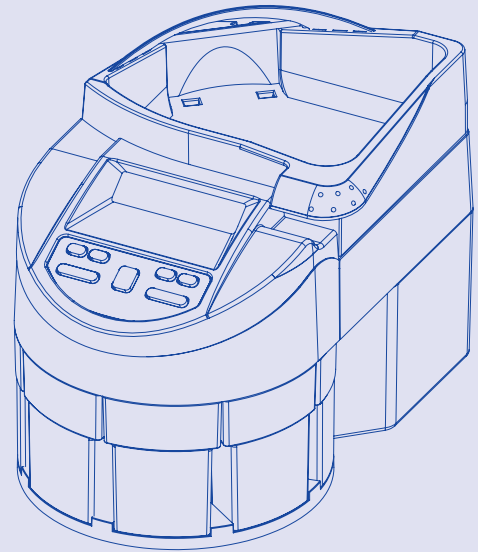


Table-top bagging configuration



Coin tubing option



Glory Global Solutions Inc.
3333 Warrenville Road, Suite 310
Lisle, IL 60532 USA
T +1 (800) 527-2638 F +1 (630) 577-1217
info@us.glory-global.com www.gloryglobalsolutions.com

Glory Global Solutions is part of GLORY LTD.

This document is for general guidance only. As the Company's products and services are continually being developed it is important for customers to check that the information contained herein includes the latest particulars. Although every precaution has been taken in preparation of this document, the Company and the publisher accepts no responsibility for errors or omissions. The Company and the publisher accept no liability for loss or damages resulting from the use of the information contained herein. This document is not part of a contract or licence save insofar as may be expressly agreed. All capabilities and capacity and throughput figures are subject to note size, note quality and process used. All trademarks are owned by the GLORY Limited Group of companies.