

DE LA RUE
CASH SYSTEMS



DeLaRue

8672

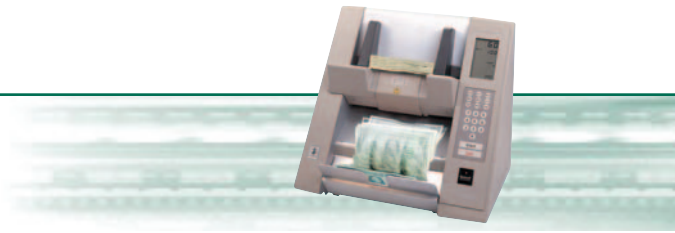
Currency/Document Counter

High speed, heavy duty desktop currency/document counter



8672

Currency/Document Counter



The De La Rue **8672** is a fast, heavy duty desktop currency and document counter that provides note-specific authentication at speeds of up to 1,750 notes per minute.

Fast, Efficient and Reliable

The **8672** provides fast and accurate processing of currency and other documents, such as checks. With a choice of three throughput speeds, the **8672** adapts automatically to individual note characteristics to ensure more constant counting, and is ideal for high volume note processing environments.

Easy to Use

The large LCD display and touch pad places the control of the machine at the operator's fingertips. The wide document loading and removal trays ensure fast, efficient processing.

Compact

The **8672** utilizes minimal counter space and fits into any currency processing environment. Because of its convenient size, the **8672** can be easily transported.

Multiple Functionality and Options

Rogue note detection by height (SD) is standard. With note specific counterfeit detection options and three levels of totals, the **8672** is suitable for use in cash centers, large retail operations and commercial deposit proofing and preparing centers. Utilizing the optional RS232 serial port, the **8672** can interface to other cash settlement systems and peripheral equipment, such as coin sorters, enabling complete cash reconciliation.

Flexible

The **8672** is available with a wide choice of counterfeit detection options, including:

UV – Checks note paper for fluorescence

CDA – Counterfeit detection aid that measures the presence of magnetic ink

MTD – Checks for the presence of metal thread

De La Rue Cash Systems coin and currency processing products are the direct result of over 100 years of experience in the design, manufacturing and distribution of world class coin processing machines. Worldwide service and support is provided through De La Rue Cash Systems' network of branch offices and authorized distributors.

Technical Specifications

Document size range

Minimum 2.00" x 4.00" (51.0mm x 102.0mm)
Maximum 4.25" x 9.50" (108.0mm x 241.0mm)

Input hopper capacity

Up to 1,000 notes, or documents

Stacker capacity

Up to 200 notes, teller quality

Processing speeds

500, 1,000, 1,750 notes per minute

Batching capability

Variable batching from 1-999

Power supply

115-230 VAC (±10%), 50/60Hz

Options

Magnetic counterfeit detection aid (CDA®)

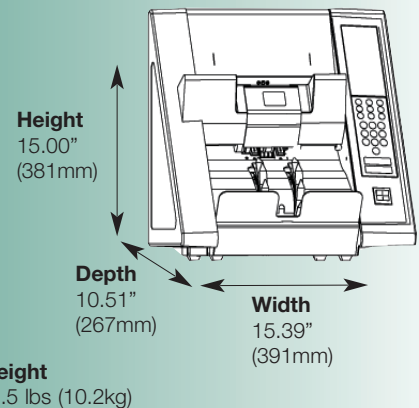
UV detection aid

Metal thread detection (MTD)

RS232 serial port interface

600 note capacity output tray (89.0mm)

Dimensions



BS EN ISO 9001
FM 689



This leaflet is for general guidance only. De La Rue Cash Systems is pleased to give detailed specifications of its products in this leaflet. As the Company's products and services are continually being developed, it is important for the customer to check that the information contained herein includes the latest particulars. This document is not part of a contract or license save insofar as may be expressly agreed.

Copyright © 2002 De La Rue Cash Systems Inc.
De La Rue and the Founders Head Device is a registered trademark of De La Rue plc
CDA is a registered trademark of De La Rue Inc.

DE LA RUE CASH SYSTEMS

2441 Warrenville Rd.
Lisle, IL 60532

Telephone: (800) 527-2638

Fax: (630) 577-1270

Web: www.us.delarue.com



DeLaRue