

DE LA RUE
CASH SYSTEMS



DeLaRue

BRANDT 8643

Currency Counter

High performance desktop currency counter



BRANDT 8643

Currency Counter

The high performance **8643** desktop currency counter provides fast, efficient processing of currency of all conditions, from new to very poor quality.

Fast, Efficient Processing

The Brandt **8643**'s superior feed performance ensures high speed currency processing. The continuous feed mechanism makes for smooth running and quiet operation at speeds from 500 to 1,500 notes per minute.

The **8643** can be used to count and batch notes or display the value of notes counted. Note count, denomination value and total value of currency counted are shown simultaneously.

Counterfeit Detection

Optional magnetic counterfeit detection aid ensures that a high percentage of counterfeit notes are detected.

Technical Specifications

Document size range

Minimum 2.00" x 4.00" (50.0mm x 100.0mm)
Maximum 2.75" x 7.25" (70.0mm x 184.0mm)
Thickness 0.003" to .007" (0.08mm to 0.18mm)

Input hopper capacity

Up to 400 notes

Stacker capacity

Up to 150 notes

Processing speeds

500, 1,000, 1,500 notes per minute

Batching capabilities

Fixed batch 5, 10, 20, 25, 50, 100
Variable batching from 1-999

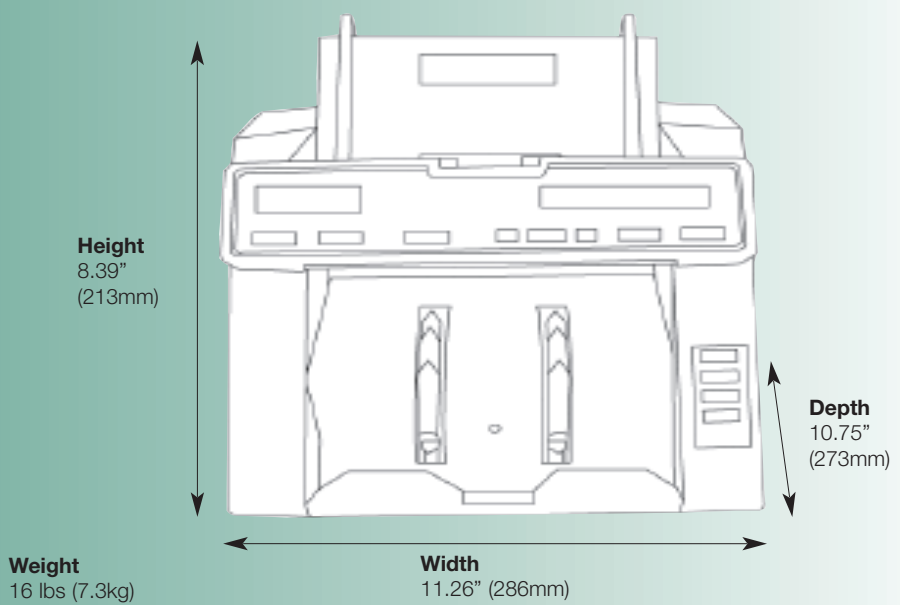
Power supply

115-230 VAC ($\pm 10\%$), 50/60 Hz

Options

Magnetic counterfeit detection

Dimensions



Easy to Use

With a clear LED display and full travel keys, the **8643** is extremely user friendly. The built-in carry handle ensures the machine can be carried from one location to another with ease.

Intelligent

Utilizing the standard RS232 serial port, the **8643** can interface to a PC for efficient deposit reconciliation.

De La Rue Cash Systems coin and currency processing products are the direct result of 100 years experience in the design, manufacturing and distribution of world class cash handling solutions. Worldwide service and support is provided through De La Rue Cash Systems' network of branch offices and authorized distributors.



BS EN ISO 9001
FM 689

This leaflet is for general guidance only. De La Rue Cash Systems is pleased to give detailed specifications of its products in this leaflet. As the Company's products and services are continually being developed, it is important for the customer to check that the information contained herein includes the latest particulars. This document is not part of a contract or license save insofar as may be expressly agreed.



Copyright © 2003 De La Rue Cash Systems Inc.
De La Rue and the Founders Head Device is a registered trademark of De La Rue plc
Brandt is a registered trademark of De La Rue Inc.

DE LA RUE CASH SYSTEMS

2441 Warrenville Rd.
Lisle, IL 60532

Telephone: (800) 527-2638

Fax: (630) 577-1270

Web: www.us.delarue.com



DeLaRue