

DE LA RUE
CASH SYSTEMS



8612

Currency Counter/Document Endorser

Dual function, currency counter and document endorser



8612

Document Endorser



The De La Rue **8612** offers the versatility of dual functions as it quickly and easily converts from a currency counter to an endorsing machine for document cancellation.

Fast, Efficient and Reliable

The **8612** provides fast and accurate currency counting and document endorsing. Regardless of the document size, message die can be positioned (choice of four positions) relative to the document being endorsed. Processing time is significantly reduced with only one pass needed to endorse and count any document.

The **8612** six line endorser die can handle up to 21 characters per line. Drum and die sets are available with or without a six digit numbering system for date stamping or varying identification numbers.

Compact

The **8612** utilizes minimal counter space and fits into any currency processing environment. Because of its convenient size, the **8612** can be easily transported.

Multiple Functionality

With a flip of the endorser on/off lever, the user can quickly convert from simply counting documents to counting and endorsing documents. The endorser indicator light confirms the endorsing module is in position.

A wide input hopper allows the **8612** to handle a wide range of checks, vouchers, coupons, tickets or other documents requiring endorsement or cancellation. And utilizing the optional RS232 serial port, the **8612** can interface to other cash settlement systems and peripheral equipment, such as coin sorters, enabling complete cash reconciliation.

De La Rue Cash Systems coin and currency processing products are the direct result of over 100 years of experience in the design, manufacturing and distribution of world class coin processing machines. Worldwide service and support is provided through De La Rue Cash Systems' network of branch offices and authorized distributors.

Technical Specifications

Document size range

Endorsing

Minimum 2.00" x 6.00" (50.0mm x 152.4mm)
Maximum 4.25" x 8.75" (108.0mm x 222.0mm)
Thickness 0.003" to 0.007" (0.08mm to 0.18mm)

Counting

Minimum 2.00" x 6.00" (51.0mm x 152.4mm)
Maximum 4.25" x 9.25" (108.0mm x 248.0mm)
Thickness 0.003" to 0.007" (0.08mm to 0.18mm)

Input hopper capacity

Up to 500 documents

Stacker capacity

Up to 200 documents

Batching capabilities

Variable batching from 1-999

Throughput speeds

500 notes per minute
1,000 documents per minute endorse mode
1,500 documents per minute count mode

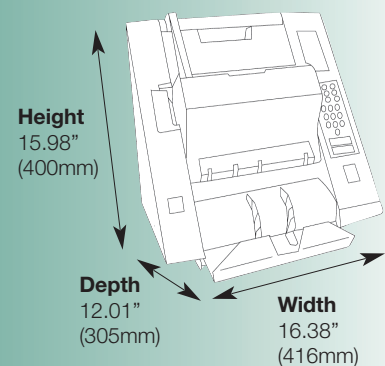
Power supply options

115-230 VAC ($\pm 10\%$), 50/60Hz

Options

RS232 serial port interface
Ink rolls: red, black, purple
Six line drum & custom message die
Variable date six line drum & custom message die

Dimensions



Weight

25.4 lbs (11.5kg)



BS EN ISO 9001
FM 689



This leaflet is for general guidance only. De La Rue Cash Systems is pleased to give detailed specifications of its products in this leaflet. As the Company's products and services are continually being developed, it is important for the customer to check that the information contained herein includes the latest particulars. This document is not part of a contract or license save insofar as may be expressly agreed.

Copyright © 2002 De La Rue Cash Systems Inc.
De La Rue and the Founders Head Device is a registered trademark of De La Rue plc
CDA is a registered trademark of De La Rue Inc.

DE LA RUE CASH SYSTEMS

2441 Warrenville Rd.
Lisle, IL 60532
Telephone: (800) 527-2638
Fax: (630) 577-1270
Web: www.us.delarue.com



DeLaRue